

CABLE CARRIERS

The option includes:

- The cable carrier (opening by inside, with separators)
- The mounting parts

For module LB37 :

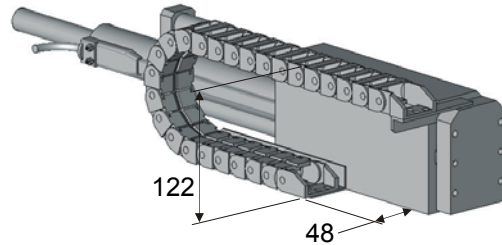
Inner dimensions: 25x18 mm
 Ø maxi cable: Ø10 mm
 Radius : 48 mm
 Maxi load: 0,4 kg/m

Module stroke	Order Nb
100-160	8319210
200	8319211
300	8319212

For LB37x240 connector type (-C) ou cable type (-C20)

For LB37x120HP **only cable type (-C20)**

=> You have to attach driving cable with recommended bend radius
 (see LinMot catalogue)

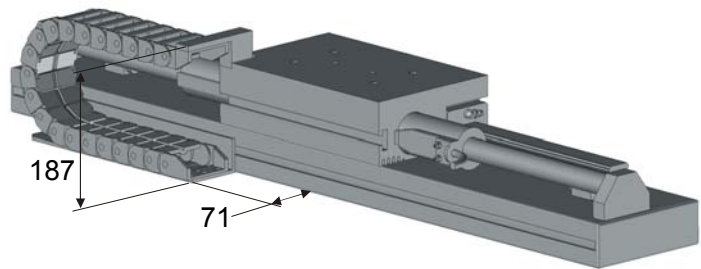


No lower overtaking

For gantry LR37 (flat) :

Inner dimensions: 50x18 mm
 Ø maxi cable: Ø12 mm
 Radius: 78 mm
 Maxi load: 0,4 kg/m

Module stroke	Order Nb
100-150	8319330
200-250	8319331
300-350	8319332
400-450	8319333
500-550	8319334
600-650	8319335
700-800-850	8319336
1000-1050	8319337
1200-1250	8319338
1400	8319339



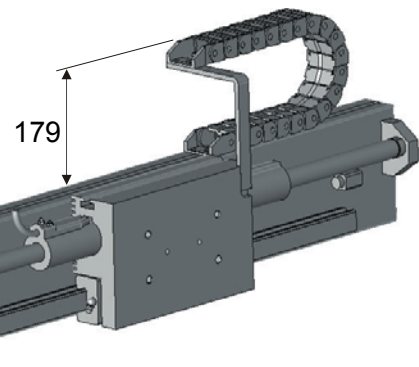
No lower overtaking

This version can be used on its edge for stroke < 350 mm.

For gantry LR37 (on its edge):

Inner dimensions: 37x18 mm
 Ø maxi cable: Ø12 mm
 Radius: 78 mm
 Maxi load: 0,4 kg/m

Module stroke	Order Nb
100-150	8319420
200-250	8319421
300-350	8319422
400-450	8319423
500-550	8319424
600-650	8319425
700-800-850	8319426
1000-1050	8319427
1200-1250	8319428
1400	8319429



Back overtaking: 15 mm